

Assembly manual for DoucheDrain, Type 70-80-90

Congratulations with your purchase of the designer drainage system!

If your DoucheDrain is assembled correctly, you will enjoy this well designed and practical drainage system for years to come.

BEFORE STARTING ASSEMBLY

Before starting assembly, always first check that all the components in the package are complete and undamaged. If not, do not start assembly, but contact your supplier as soon as possible.

Contents of the package

One three-part design stainless steel grid
One plastic DoucheDrain
One complete trap with drainage capacity of approximately 18 litres/minute
One connecting sleeve
Two anchoring lips

Requirements

Painter's tape, approximately 1.5 to 2 cm wide
A spirit level
Approximately 250 ml PVC glue
Approximately 3 cups of dry quartz sand/plastering sand
Elastic silicon glue
10 Kg moist cement (e.g. Beamix sand/cement 730 or shrink-proof cement-based pouring concrete)
A disposable brush no. 20

We recommend that you read through the entire assembly manual prior to starting assembly and follow all instructions closely.



Attach the trap to the plastic DoucheDrain using the red-white assembly swivel.

Place the trap underneath the DoucheDrain, the black rubber ring goes at the bottom of the DoucheDrain. Make sure that the ring with the bulge goes into the notch of the trap. Fasten the red-white assembly swivel by turning from the top and keep the red section in place to prevent builder's rubble from entering the drainage system.



Roughen the outside of the DoucheDrain up to ensure proper bonding with the cement

Cover the edges of the DoucheDrain with painter's tape up to approximately 1 cm from the upper edge (outside). Next, apply PVC glue to the DoucheDrain up to the bottom of the painter's tape.

Tip: Pour a bit of PVC glue onto the DoucheDrain and spread the glue evenly with the disposable brush to a thickness of about 1 to 2 mm. As the PVC glue dries rather quickly, it is advisable to apply the above-mentioned in three sections.

Next pour quartz sand over the sections covered with PVC glue.

If necessary, press the quartz sand down manually. Leave to dry for approximately 15 minutes. Next, remove all excess quartz sand, as well as the painter's tape.



Roughening up the Douche Drain on the outside will ensure sound and solid bonding.



Next, attach the anchoring lips to the plastic DoucheDrain by sliding them over the plastic DoucheDrain from the top.

Connecting the Douche Drain to the drainage system

Slip the pipe and trap as far as possible into the connecting sleeve. *Tip: It will be easier to slip the pipe and trap into the sleeve with the use of a bit of detergent as a lubricant.* Make the length of the pipe, from the drain to the standing pipe, as short as possible with as few bends as possible and with sufficient slope in the drain pipes (0.5 cm per meter). Take the thickness of the tiles into account when setting up the height of the DoucheDrain and when filling in the space under the DoucheDrain. *Tip: Ensure adequate sewage aeration in the bathroom.*

Fill the space under the DoucheDrain evenly

Once the moist cement has been prepared, as per the instructions on the packaging, check the moistness level of the cement by rolling it into a ball in your hand. The ball must retain its integrity when put down on a hard surface. In other words, the cement must not be too wet. The general rule is to use 11% water in relation to the weight of the cement used.

Next, fill the space under the DoucheDrain evenly until the DoucheDrain is resting firmly on the cement foundation. Knead the cement manually from the sides and inward until firmly in place. When filling in the space under the DoucheDrain, remember to check that the anchoring lips remain properly fastened.

Using the spirit level to level off the DoucheDrain in all directions

To prevent your plastic DoucheDrain from "rocking", "bending" or "wobbling" during or after assembly, make sure that the three-part stainless steel grid is resting securely in the plastic DoucheDrain after adjustment. A well-positioned DoucheDrain must be level **in every direction** and the grids must remain level within the DoucheDrain.

Take care of the following when laying tiles

When laying tiles, make sure that the slope of the tiles (0.5 - 1 cm max. per meter length) in the shower area is always targeted at the DoucheDrain. The tiles must be laid at the same level or 1 mm higher than the upper edge of the DoucheDrain to prevent puddles from forming next to the DoucheDrain. After tiling, apply elastic silicon glue to the joint between the tile floor and the DoucheDrain. The best results are obtained by using silicon glue of the same width and colour as the joints in the tiling.

Tip: Make sure that all areas where silicon glue is to be applied are free of dust and grease.

Now that you have assembled your DoucheDrain

Before using the DoucheDrain, make sure to always first remove the red section of the assembly swivel. If necessary, tighten the assembly swivel down a little more. Next, remove the plastic foil from the stainless steel grid and replace the grids.

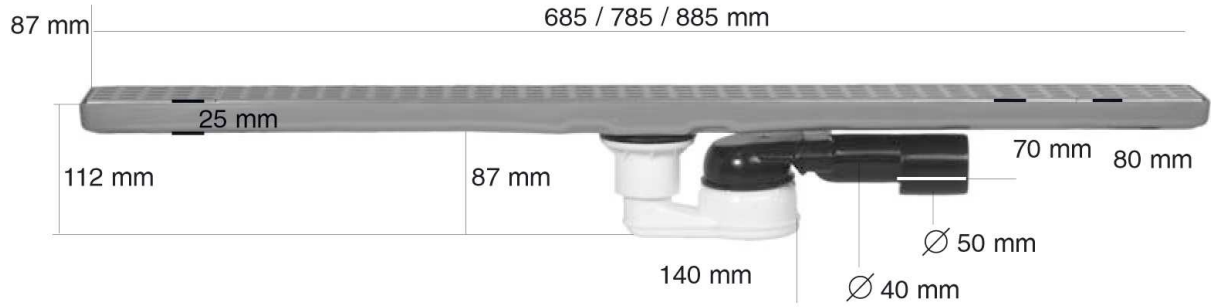
General Tip

When installing the DoucheDrain between two walls, always take into account the distance from the walls + the thickness of the tiles and glue. This is to prevent tiles from being placed on the grids.

Cleaning

Your DoucheDrain can be cleaned with normal household detergents. Avoid using aggressive scouring agents and detergents.

Model 70 / 80 / 90



All rights reserved with respect to printing errors. Images and representations may deviate from the Douche Drain in your package. DoucheDrain will not accept liability for any damage resulting from the use and/or assembly of the DoucheDrain. DoucheDrain is exclusively designed for domestic use, and is not designed for industrial applications. Applications other than those prescribed will be at the user's own risk and will exclude all liability on the part of DoucheDrain.